

DUAL's Flow Valve operates on the discharge side of the pump. As the flow through the pipeline starts or stops, the ball automatically rises or falls, opening or closing the valve. The handwheel is there to lock the ball in position. The handwheel can be used to isolate, but with back pressure. The Dual Valve can work in the horizontal and vertical position.

FEATURES

- The Dual Valve is the only proven maintenance and trouble-free slurry valve in the world with all these features:
- Long seat life, Seats are out of the flow and can be rotated in line to increase seat life fourfold.
- Easy maintenance. Seat and ball can be inspected or replaced without removing the free flow from the pipeline.
- Rotating and floating ball - self adjusts to flow.
- Self cleaning due to the freely rotating ball.
- Long ball life due to ball rotation.
- Replaces two valves: check valve and either a gate, knife gate, pinch or diaphragm valve.
- Full port opening. No obstruction to the flow.
- Virtually no pressure drop. Eliminates pipe hammer.
- Indicator to show valve in open or closed position.
- Virtually maintenance free because of simple design.
- Simple manual operation - manual handwheel is standard and automatic actuators are not required (but can be fitted).

PRODUCT SPECIFICATION

SIZE RANGE: 80mm - 600mm.

OPERATING TEMPERATURES: -20°C to 100°C.

BODY TYPE: Fabricated Carbon Steel or Stainless Steel.

PRESSURE RATING: 0 Bar to 100 Bar.
(For higher pressures, please consult our factory).

BALL LINING: Natural Rubber, EPDM, Butyl, Urethane.

BALL: Carbon Steel, Urethane Coated or Stainless Steel.

FLOW RATE: See pressure drop chart.

VALVE TYPE: Flanged.

FLANGE DRILLING: AS, ANSI, DIN, SABS or BS.

FLUSHING PORT: All valves have a minimum of one purge: one in the lower body and one in the bonnet area.

PVC BELLOWS: Optional.

MATERIAL CERTIFICATION: Certified Chemical and Physical test reports can be supplied.

PRODUCT SPECIFICATION



FULLY AUTOMATIC OPERATION

FULLY OPEN POSITION

- With the handwheel wound up, the ball lifts completely out of the flow.

CLOSED OR REFLUX POSITION

- As the flow reduces and the pressure drops, the ball falls and positively locates in the seat.

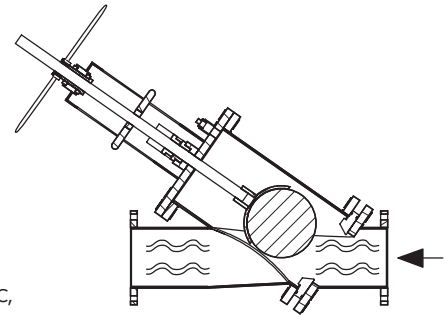
APPLICATIONS

- Mining and mineral processing.
- Power generation.
- Sand and gravel.
- Chemical and soda ash.
- Pulp and paper.
- Environmental and effluent.

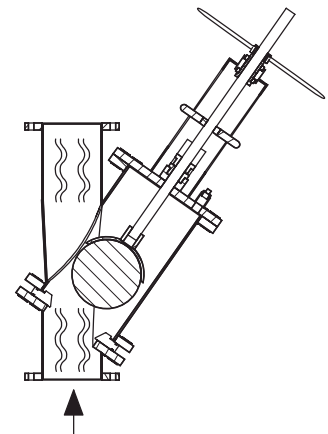
ACTUATORS

All types of actuators can be fitted, electric, gearbox, hydraulic, pneumatic or handwheel.

VALVE ORIENTATION



HORIZONTAL



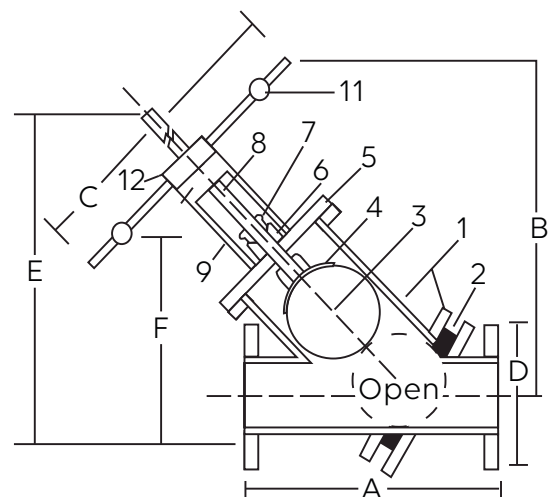
VERTICAL

	PART	DESCRIPTION
1	Body	Carbon Steel / Stainless Steel
2	Body Seat	Abrasion Resistant AR Steel, S.S. or Urethane
3	Ball	Solid S.S. or Steel W/Urethane or Viton Coating
4	Ball Control	Mild Steel / Stainless Steel
5	Bonnet	Mild Steel / Stainless Steel
6	Packing	Graphite in Rope
7	Gland	S.S. / Carbon Steel
8	Spindle	Stainless Steel
9	Yoke Assembly	Mild Steel / Stainless Steel
10	Spindle Nut	Bronze
11	Handwheel	Carbon Steel / Stainless Steel
12	Handwheel Nut	Carbon Steel / Stainless Steel

DIMENSIONS AND WEIGHTS

VALVE SIZE mm	F/F A	B	C	D	E	F	WEIGHT (kg)
80	500	420	300	200	390	300	83
100	640	590	350	235	640	400	120
150	780	780	740	300	840	440	215
200	930	1020	840	350	1050	560	300
250	1070	1220	840	423	1170	720	370
300	1120	1220	840	485	1500	930	440
350	1460	1420	990	555	1580	930	500
400	1680	1560	990	597	1900	1150	760
450	1680	1662	990	635	2300	2000	870
500	1680	1900	1220	698	3302	2000	1500
600	1880	1900	1220	698	3302	2000	2000

Contact Dual Valves for larger sizes. Dimensions are for guidance only - detailed dimensions drawings available on request. All Dimensions are in millimeters, unless stated.



CORPORATE HEADQUARTERS:
166 ROTTERDAM ROAD
(CNR ROTTERDAM ROAD & ANTWERP STREET)
APEX, BENONI, GAUTENG, SOUTH AFRICA

PO BOX 12520, BENORYN 1504
TEL: +27 11 422 4326/7
FAX: +27 11 421 7842
EMAIL: SALES@DUALVALVES.COM

